

LITEFORM 8000 BASE POLE

SHAFT 4 1/2" DIAM. FLUTED EXTRUDED ALUMINUM

BASE ONE PIECE CAST ALUMINUM

BASE DIMENSIONS 14 1/2" DIAMETER AT MOUNTING SURFACE x 20" HEIGHT

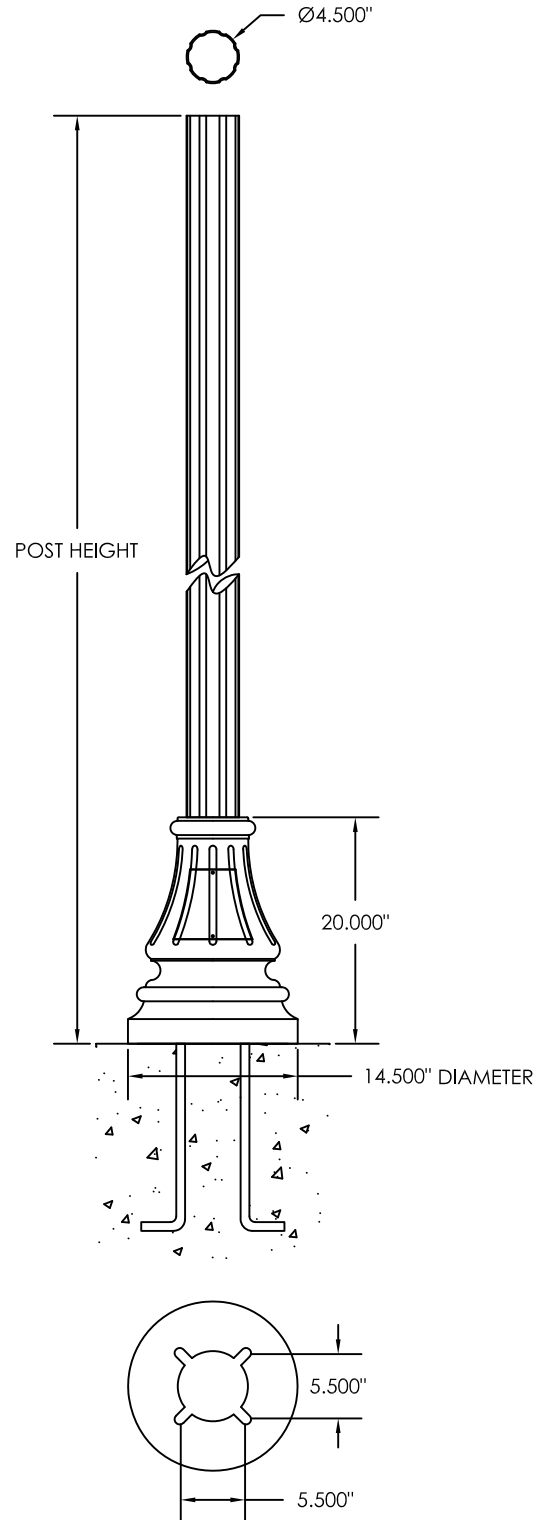
HAND HOLE CAST ALUMINUM COVER

MOUNTING BOLTS 'J' TYPE (4 REQUIRED)
3/4" DIAM. x 18" LONG (GALVANIZED)

BOLT PATTERN 5 1/2" C.T.C. SQUARE PATTERN

FINISH POLYESTER POWDER COATED

POST HEIGHT	CATALOGUE NUMBER
12 ft.	FAR4512-8000



Liteform International Inc.
261 Ambassador Drive Mississauga, Ontario L5T 2J2
Canada Tel: (905) 564-2090 Fax: (905) 564-2102
www.liteformlighting.com