

LITEFORM 7000 BASE POLE

SHAFT 3 1/2" DIAM. FLUTED EXTRUDED ALUMINUM

BASE ONE PIECE CAST ALUMINUM

BASE DIMENSIONS 12 1/2" DIAMETER AT MOUNTING SURFACE x 30 1/2" HEIGHT

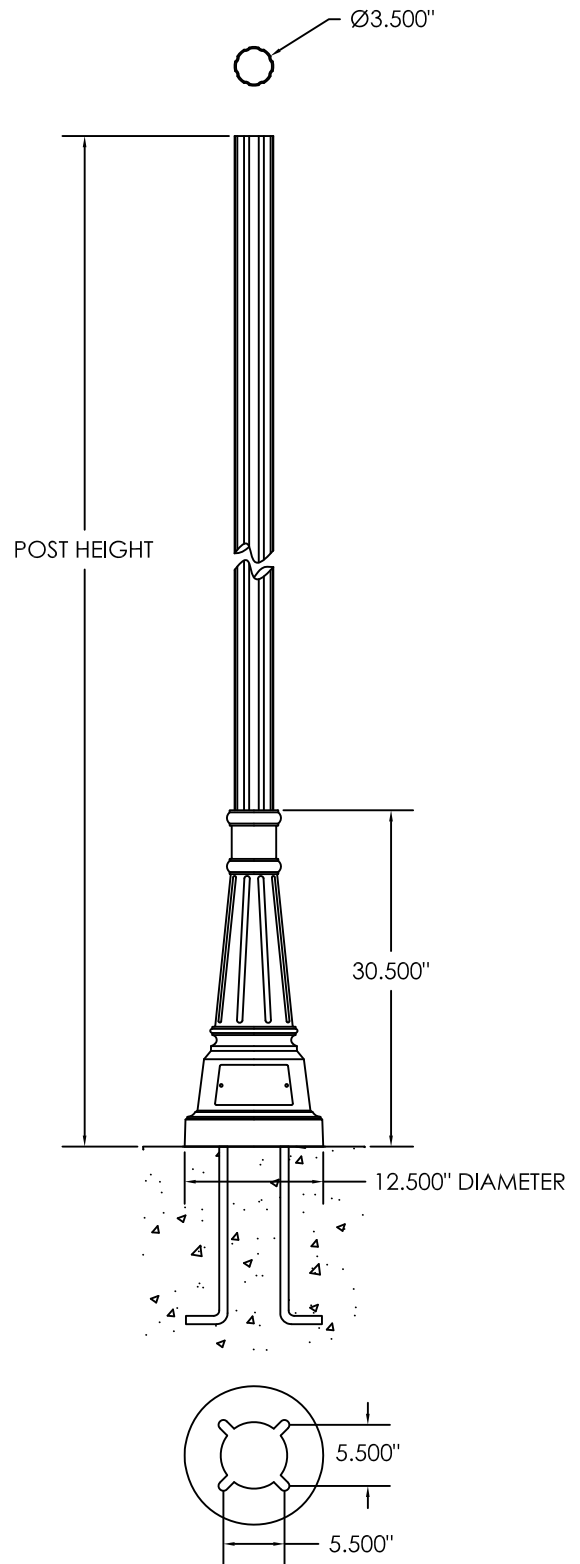
HAND HOLE CAST ALUMINUM COVER

MOUNTING BOLTS 'J' TYPE (4 REQUIRED)
3/4" DIAM. x 18" LONG (GALVANIZED)

BOLT PATTERN 5 1/2" C.T.C. SQUARE PATTERN

FINISH POLYESTER POWDER COAT

POST HEIGHT	CATALOGUE NUMBER
10 ft.	FAR3510-7000
12 ft.	FAR3512-7000



Liteform International Inc.
261 Ambassador Drive Mississauga, Ontario L5T 2J2
Canada Tel: (905) 564-2090 Fax: (905) 564-2102
www.liteformlighting.com