

LITEFORM 4.50" ROUND FLUTED POLE

SHAFT 4 1/2" DIAM. FLUTED EXTRUDED ALUMINUM

HAND HOLE CAST ALUMINUM COVER

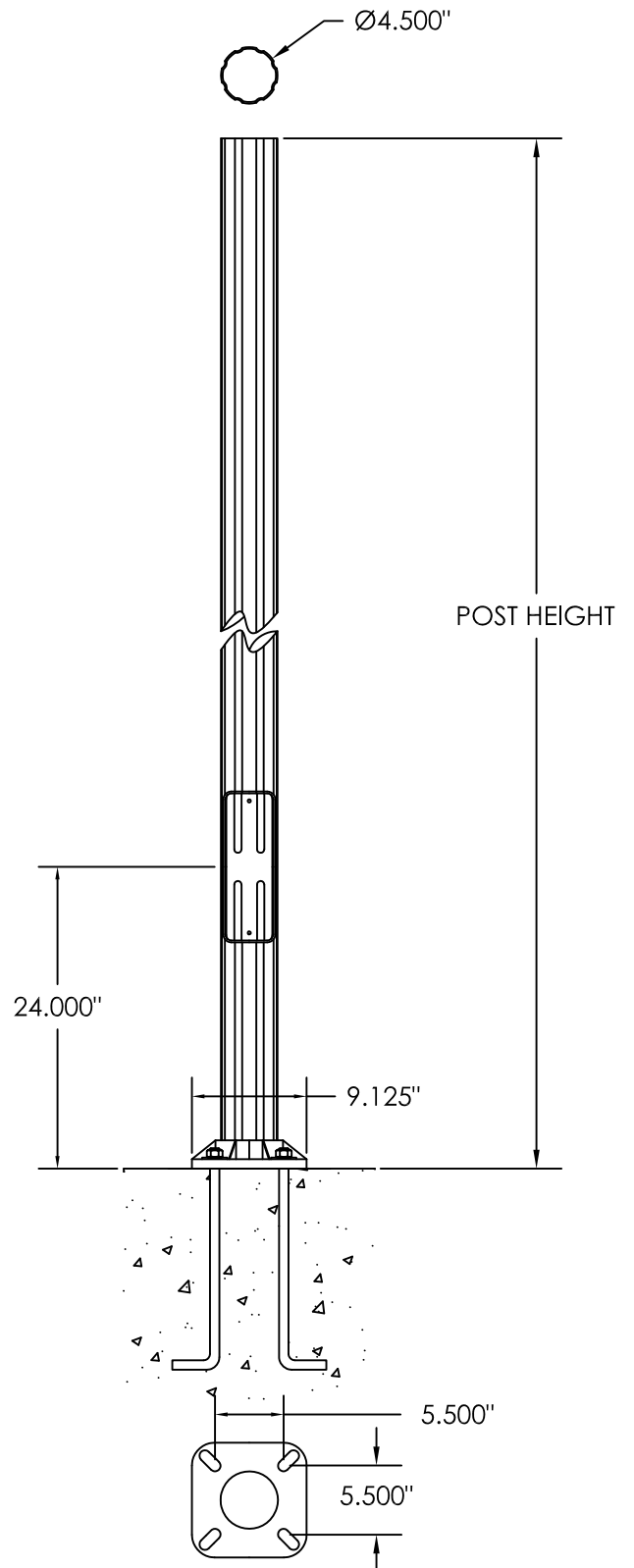
BASE FLANGE 9 1/8" x 9 1/8" ONE PIECE CAST ALUMINUM

MOUNTING BOLTS 'J' TYPE (4 REQUIRED)
3/4" DIAM. x 18" LONG (GALVANIZED)

BOLT PATTERN 5 1/2" C.T.C. SQUARE PATTERN

FINISH POLYESTER POWDER COAT

POST HEIGHT	CATALOGUE NUMBER
12 ft.	FAR4512
15 ft.	FAR4515



Liteform International Inc.
261 Ambassador Drive Mississauga, Ontario L5T 2J2
Canada Tel: (905) 564-2090 Fax: (905) 564-2102
www.liteformlighting.com