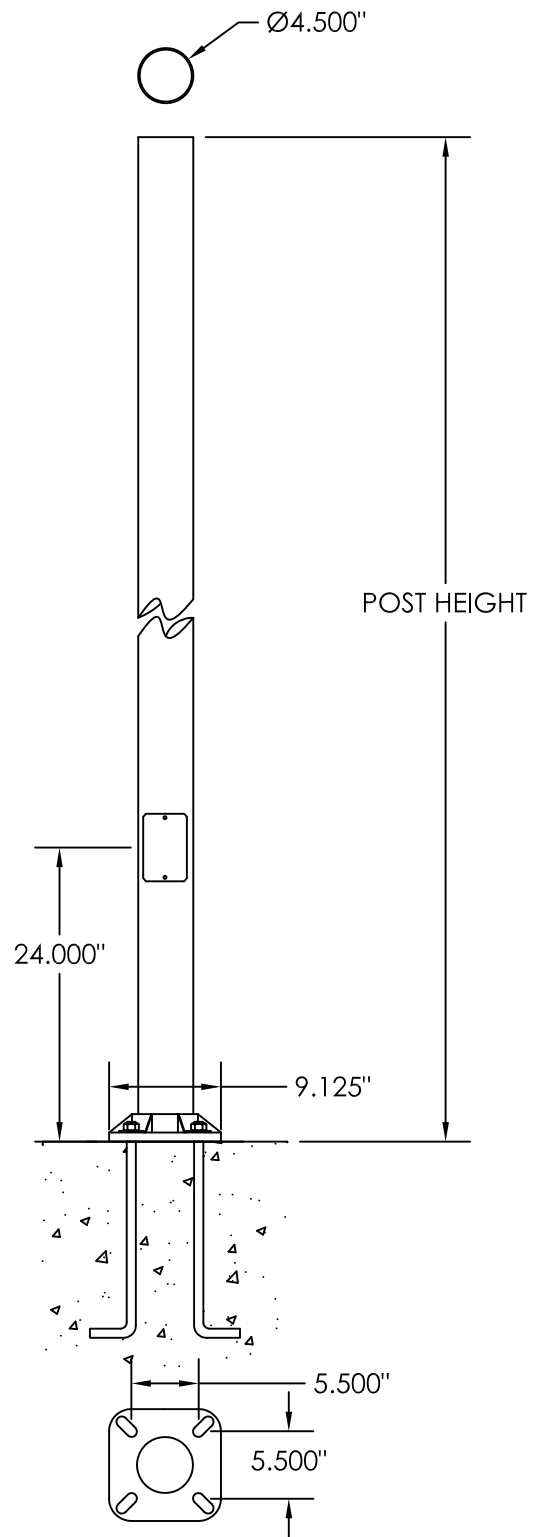


LITEFORM 4.50" ROUND SMOOTH POLE

- SHAFT** 4 1/2" DIAM. SMOOTH EXTRUDED ALUMINUM
- HAND HOLE** ALUMINUM COVER
- BASE FLANGE** 9 1/8" x 9 1/8" ONE PIECE CAST ALUMINUM
- MOUNTING BOLTS** 'J' TYPE (4 REQUIRED)
3/4" DIAM. x 18" LONG (GALVANIZED)
- BOLT PATTERN** 5 1/2" C.T.C. SQUARE PATTERN
- FINISH** POLYESTER POWDER COAT

POST HEIGHT	CATALOGUE NUMBER
12 ft.	AR4512
15 ft.	AR4515



Liteform International Inc.
 261 Ambassador Drive Mississauga, Ontario L5T 2J2
 Canada Tel: (905) 564-2090 Fax: (905) 564-2102
www.liteformlighting.com