

LITEFORM 3.50" ROUND FLUTED POLE

SHAFT 3 1/2" DIAM. FLUTED EXTRUDED ALUMINUM

HAND HOLE CAST ALUMINUM COVER

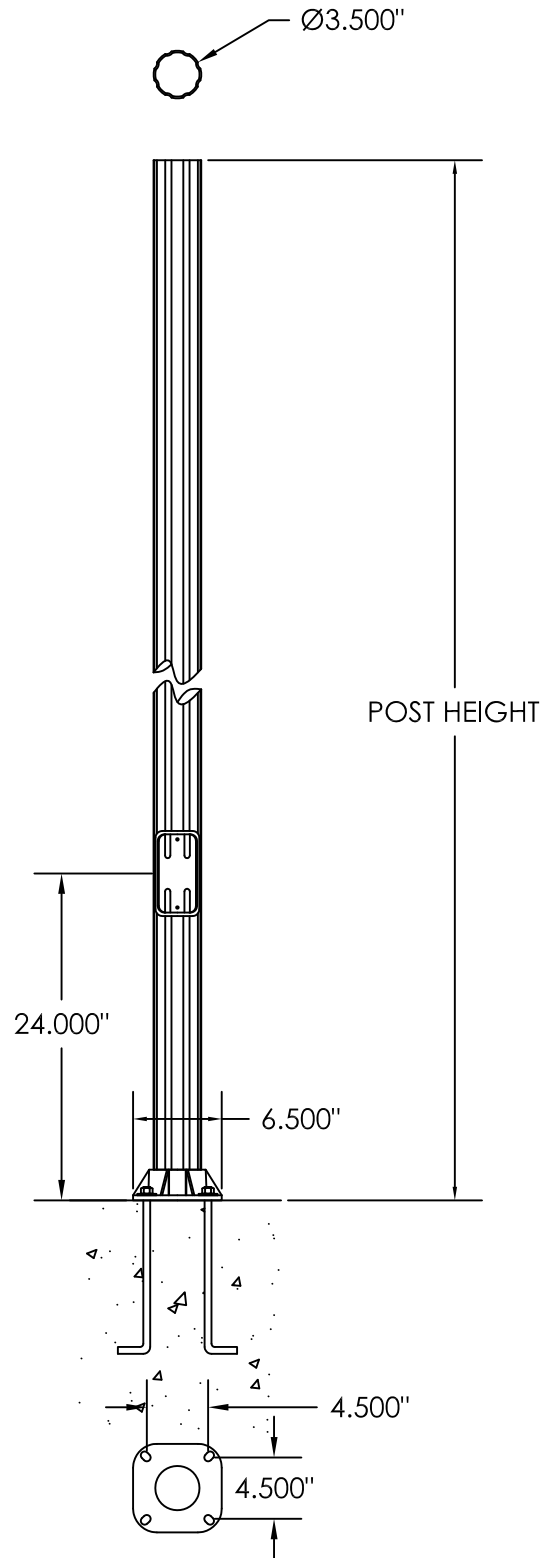
BASE FLANGE 6 1/2" x 6 1/2" ONE PIECE CAST ALUMINUM

MOUNTING BOLTS 'J' TYPE (4 REQUIRED)
1/2" DIAM. x 12" LONG (GALVANIZED)

BOLT PATTERN 4 1/2" C.T.C. SQUARE PATTERN

FINISH POLYESTER POWDER COAT

POST HEIGHT	CATALOGUE NUMBER
8 ft.	FAR3508
10 ft.	FAR3510
12 ft.	FAR3512



Liteform International Inc.
261 Ambassador Drive Mississauga, Ontario L5T 2J2
Canada Tel: (905) 564-2090 Fax: (905) 564-2102
www.liteformlighting.com